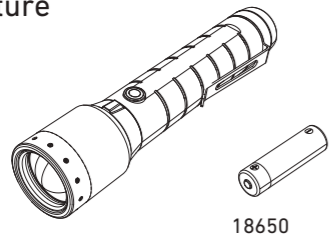
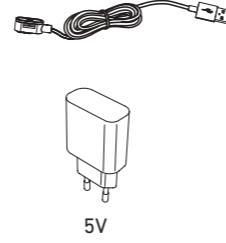


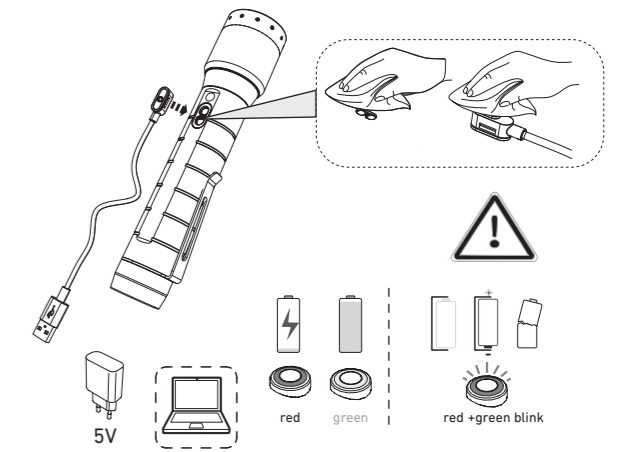
P6R Signature



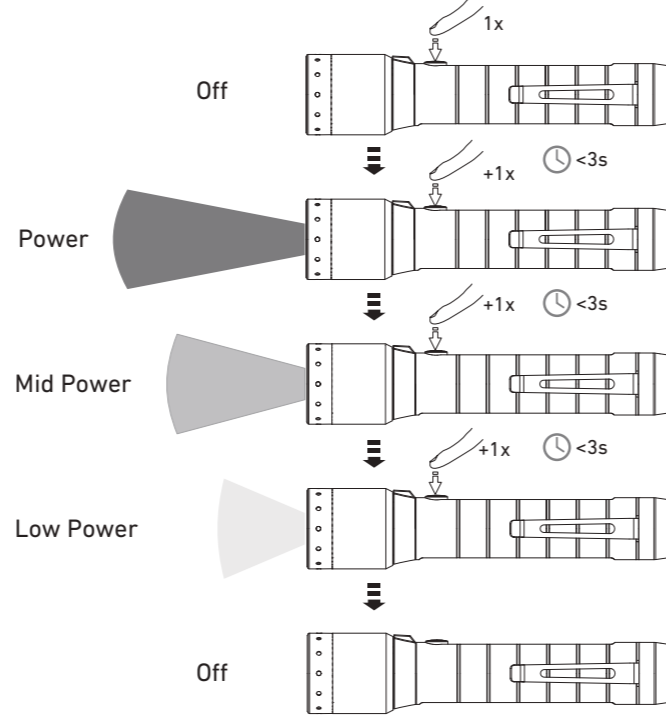
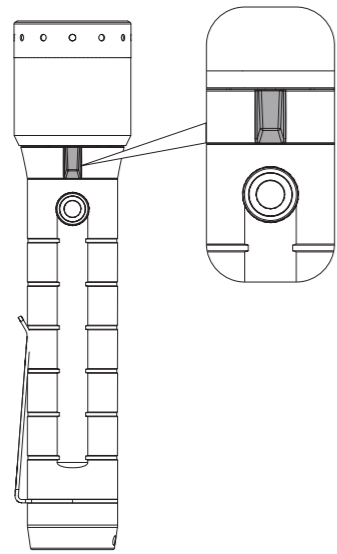
P7R Signature



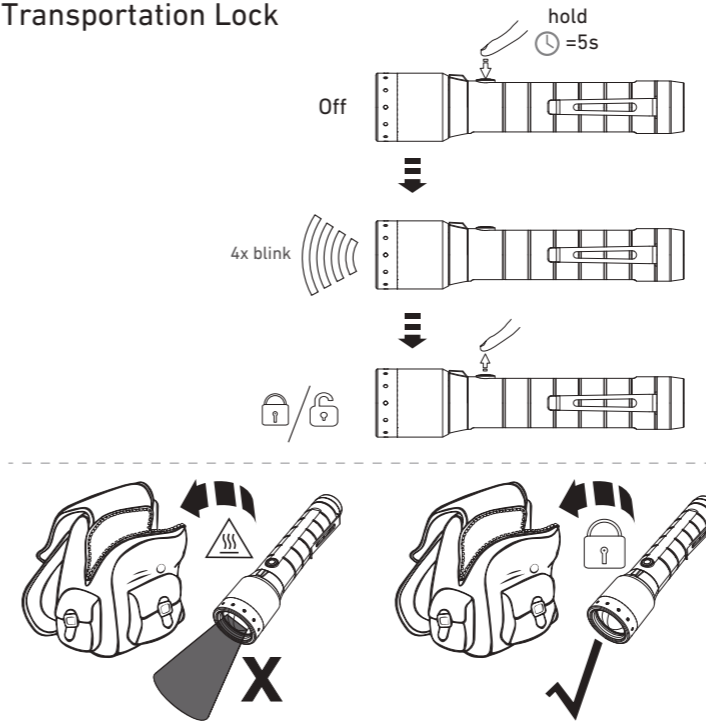
Magnetic Charging System



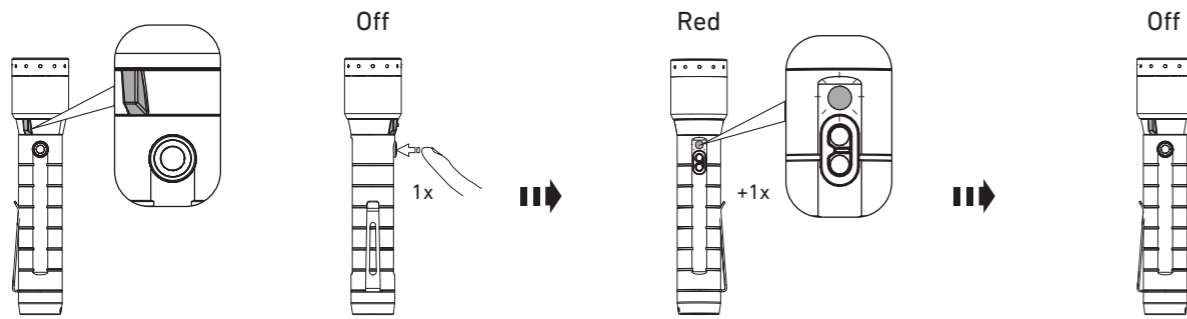
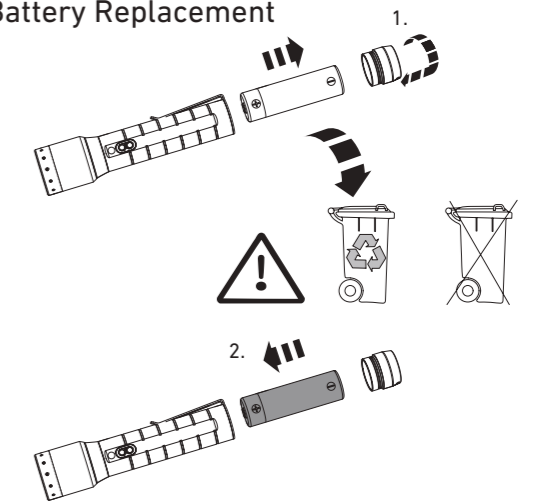
Default Operation



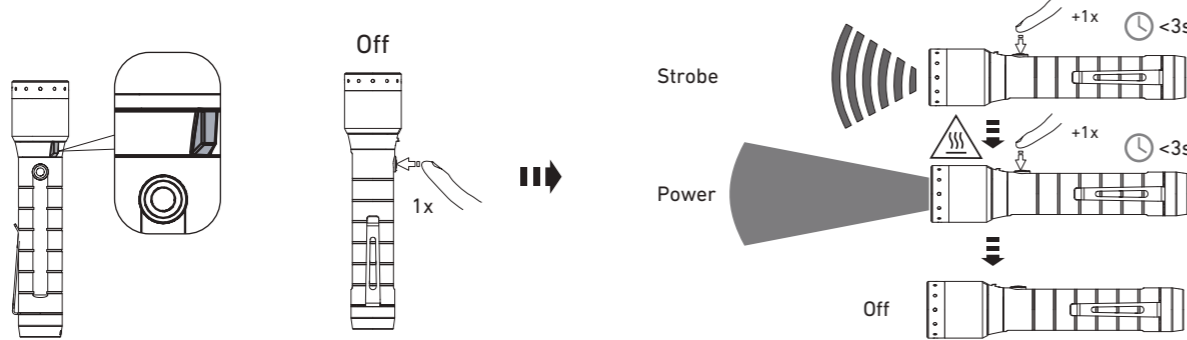
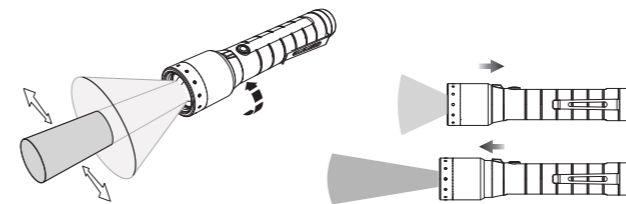
Transportation Lock



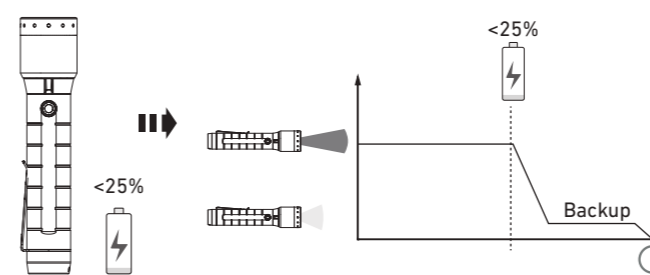
Battery Replacement



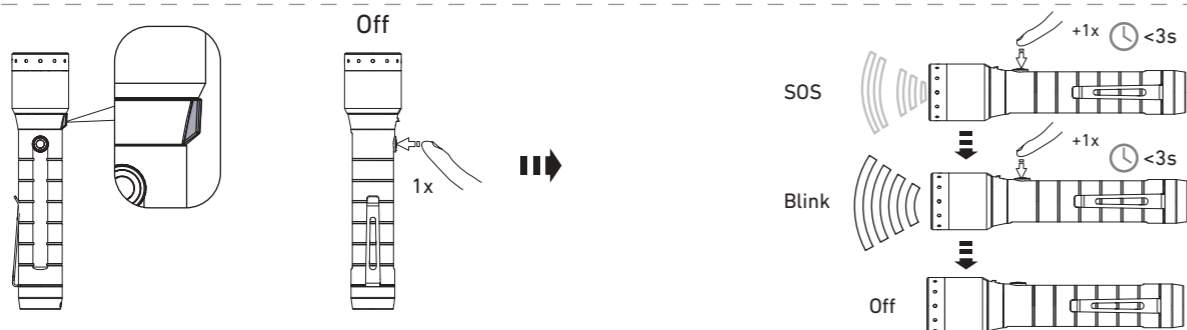
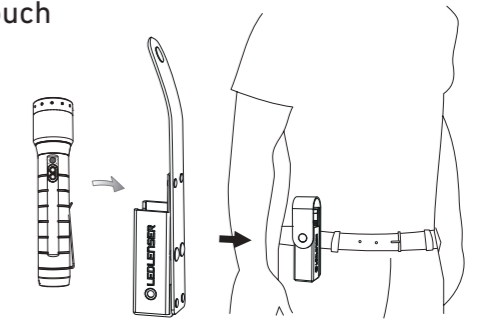
Advanced Focus System



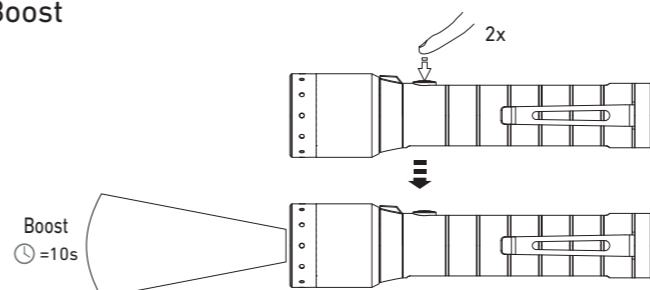
Backup Mode



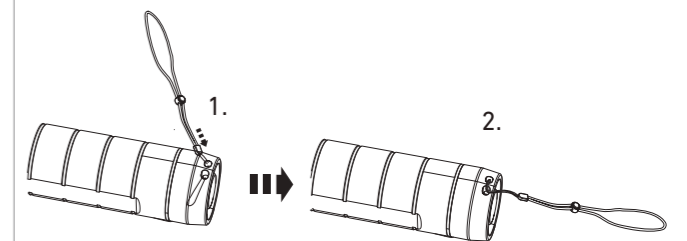
Pouch



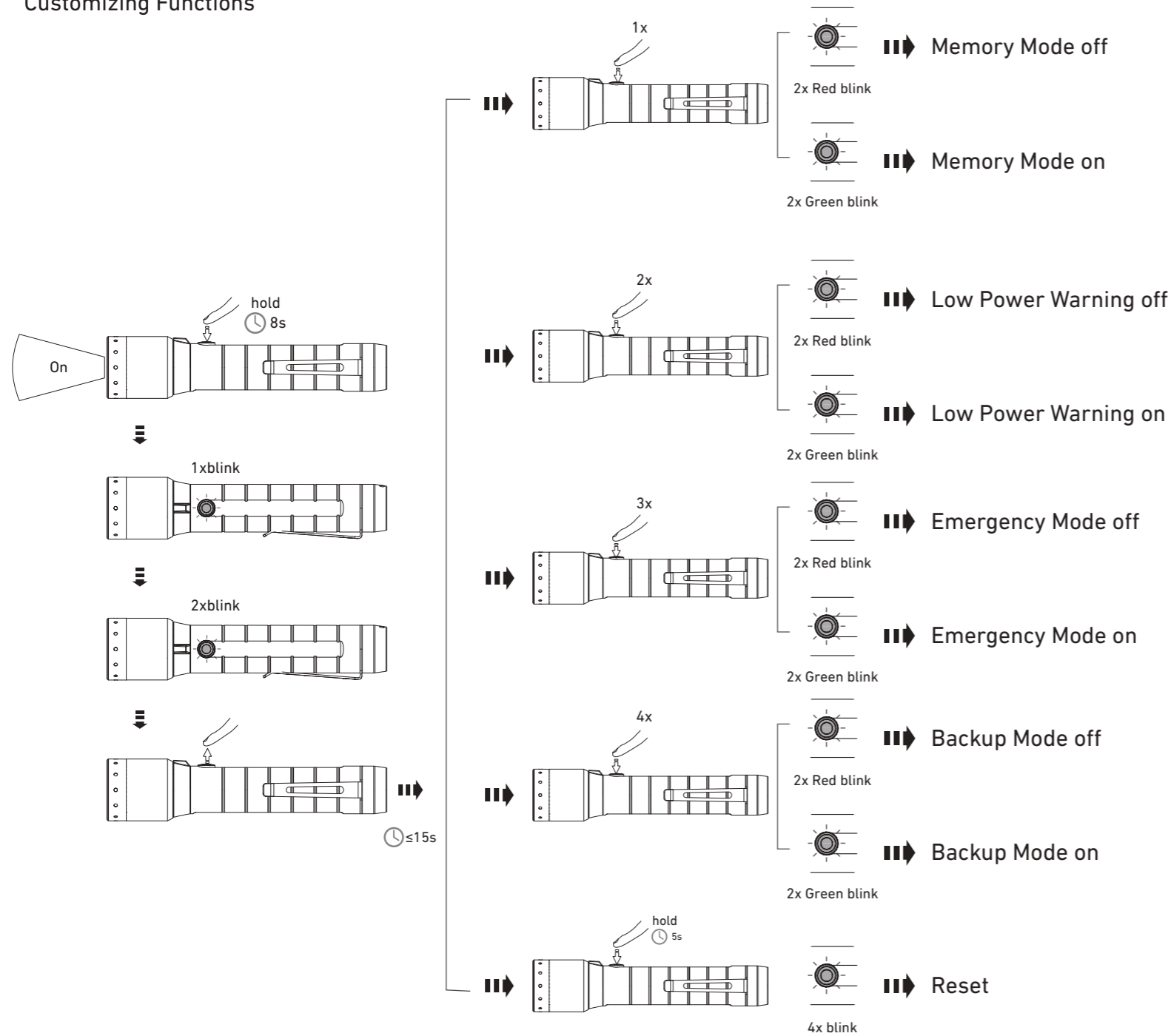
Boost



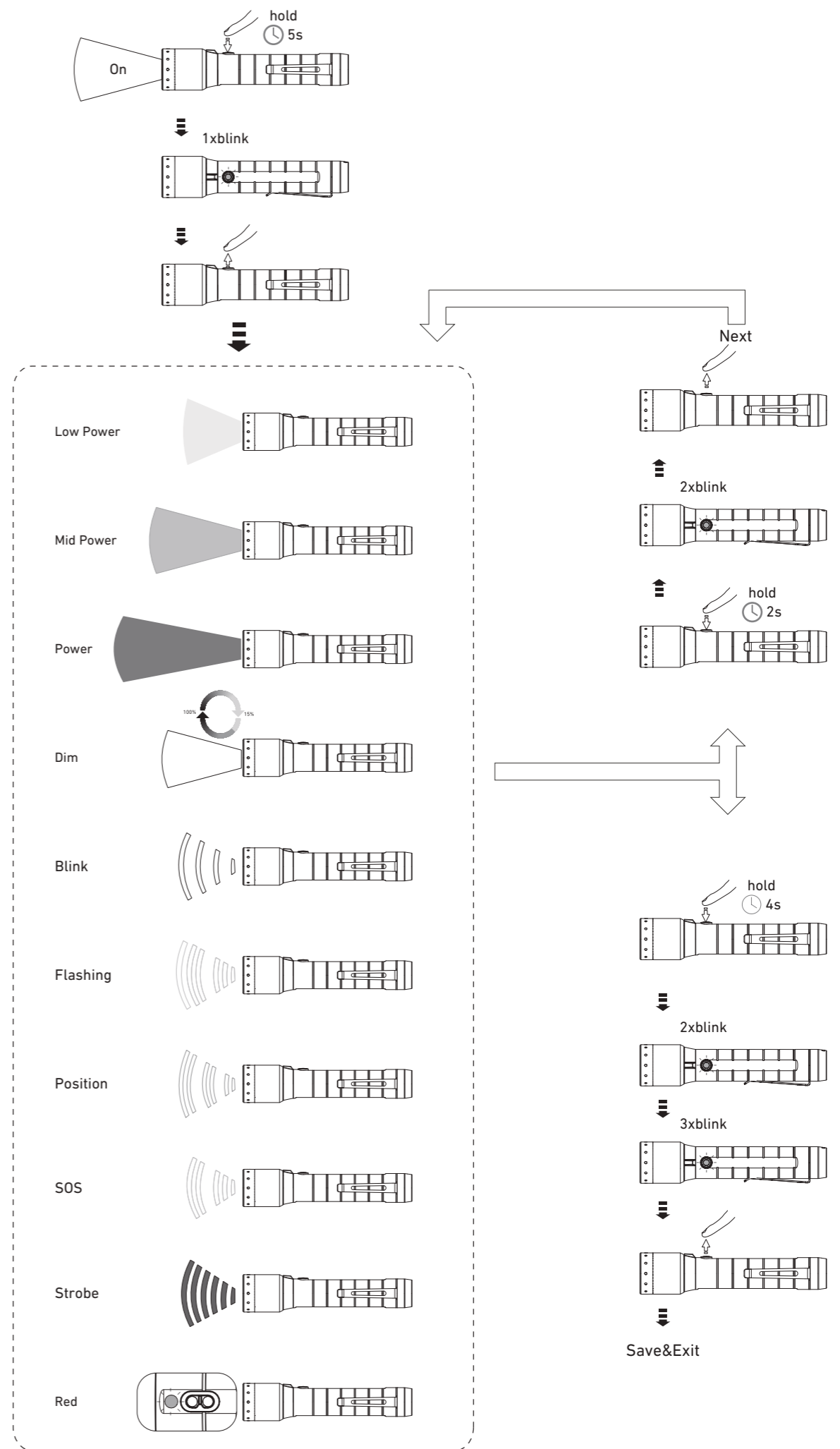
Lanyard



Customizing Functions



Customizing Light Modes



Further Information



Ledlenser GmbH & Co. KG
 Kronenstr. 5-7 • 42699 Solingen • Germany
 Phone +49 212/5948-0 Fax +49 212/5948-200
 info@ledlenser.com

ledlenser.com
 CE
 P6R_P7R_V01
 26.05.2020
 1J12A0375

